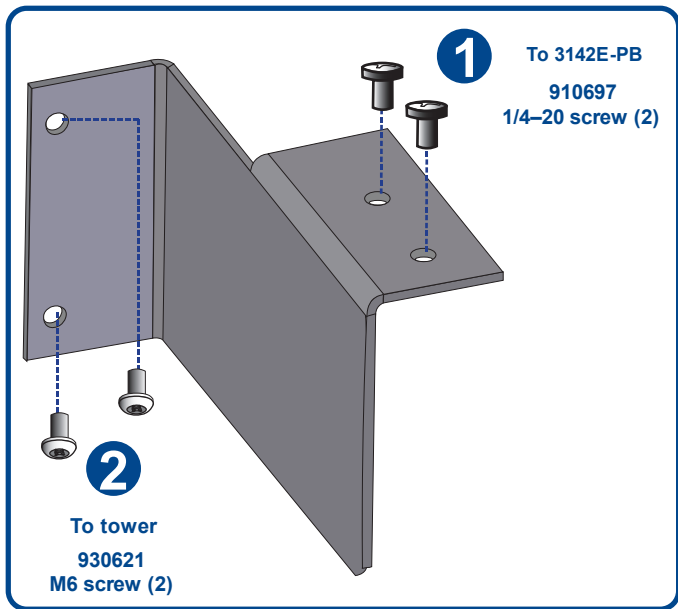
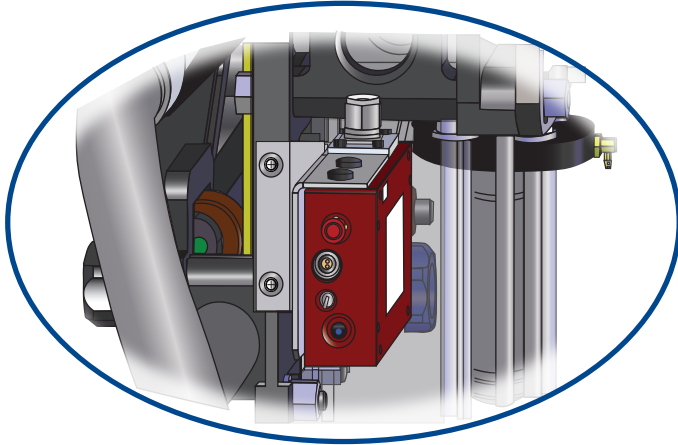


! Before placing into service, read **Safety Information** on the back page of this document.

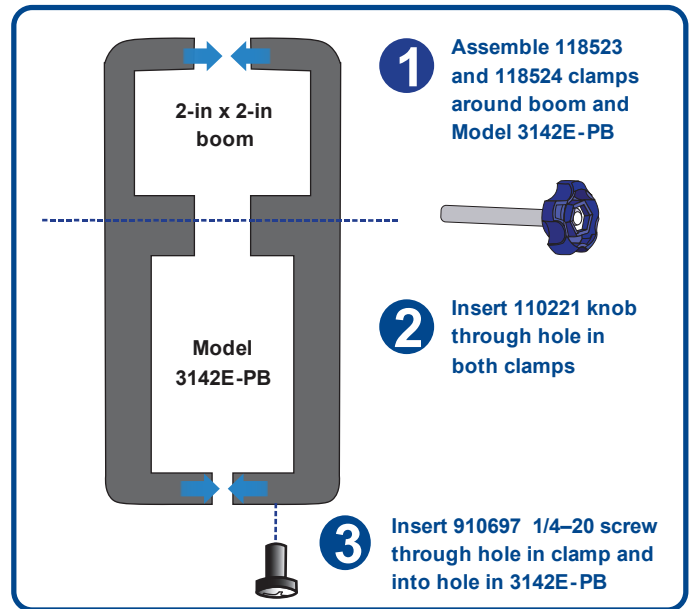
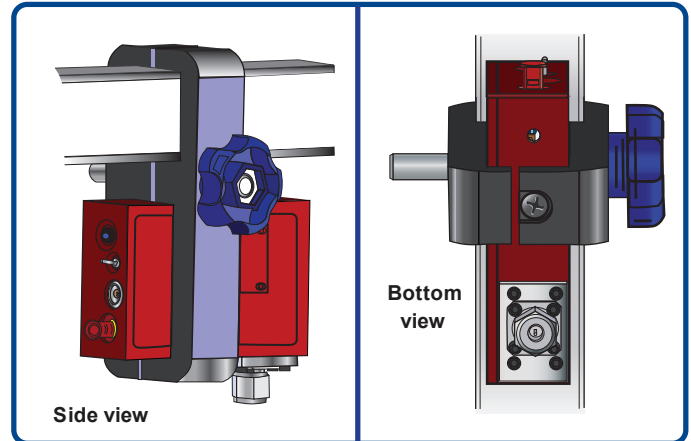
Using the 118522 Mounting Bracket

Use the 118522 bracket to mount the Model 3142E-PB onto the back side of the carrier on the 2170B/2171B tower. Point the antenna connector upward.



Using the 118523-118524 Mounting Clampset

Use the 118523-118524 clampset to mount the Model 3142E-PB onto the bottom side of the boom on a 2070B/2071B tower and other towers/tripods with a 2-in x 2-in boom. Point the antenna connector downward.



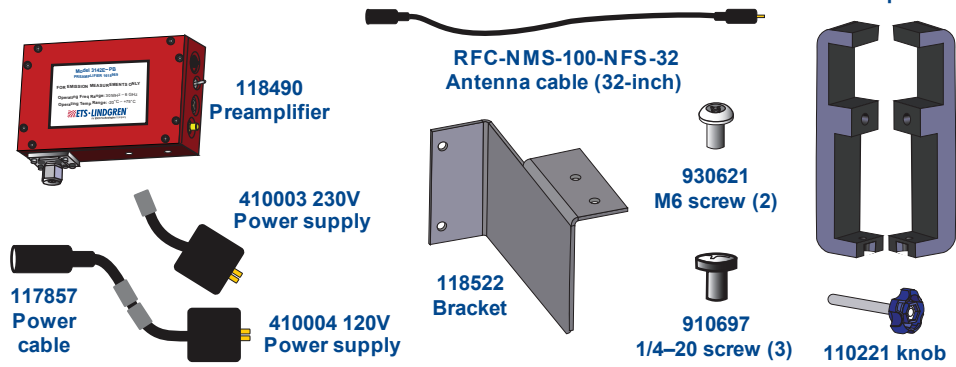
Preamplifier Electrical Specifications

Operating Frequency Range	30 MHz – 6 GHz
Amplifier Gain	30 dB MAX
Maximum Continuous Input	0 dBm
Power Output	+20 dB MIN @ 1 dB PT
Operating Temperature Range	-20°C to +75°C (-4°F to +167°F)
DC Power Supply	+12 VDC – +15 VDC 450 mA NOM

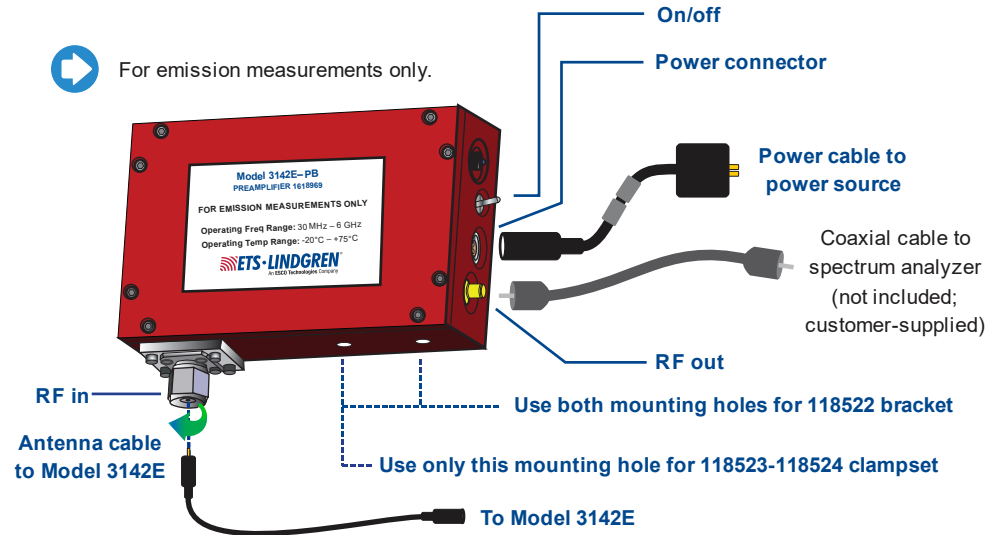
Preamplifier Physical Specifications

Connectors	<ul style="list-style-type: none"> RF input, N male RF output, SMA female Power supply, 2-pin LEMO®
Dimensions	<ul style="list-style-type: none"> Length: 13.97 cm (5.5 in) Height: 8.89 cm (3.5 in) Depth: 3.86 cm (1.52 in)

1618969 Kit – Included Parts



The ETS-Lindgren Model 3142E-PB is designed to amplify a signal in the 30 MHz to 6 GHz frequency range.



Product Information Bulletin

See the ETS-Lindgren *Product Information Bulletin* included with your shipment for the following:

- Warranty information
- Steps to return a component for service
- Safety, regulatory, and other product marking information
- ETS-Lindgren calibration service
- Steps to receive your shipment
- ETS-Lindgren contact information

Safety Information



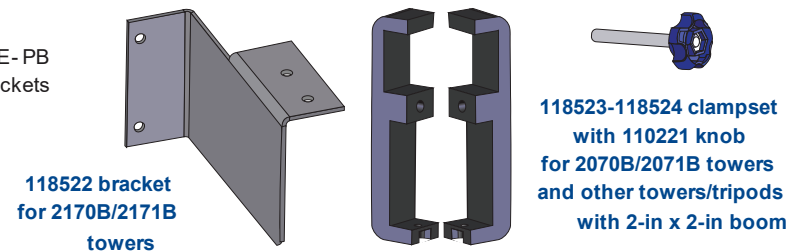
ONLY QUALIFIED PERSONNEL should install, operate, or service this equipment.

For complete safety information, see the *Product Information Bulletin*.

Warranty Information

For complete warranty information, see the *Product Information Bulletin*.

The Model 3142E-PB includes two brackets for mounting:



The Model 3142E-PB includes a 120V power supply, a 220V power supply, and a power cable that can be used with either power supply.

- 120V Power Supply, part# 410004
- 230V Power Supply, part# 410003
- Power Supply Cabling, part# 117857

Note: You will assemble the power supply cable by connecting the two cable lengths together.

Note: ETS-Lindgren may substitute a similar part with the same functionality for another part.

